

High-Reliability Chip Inductors ML413RAM

- Ferrite construction provides lowest DCR and highest current rating of our 1008 size inductors.
- Available in 14 inductance values from 0.9 to 10 μH , all at 10% tolerance.

This robust version of Coilcraft's standard 1008AF series features high temperature materials that allow operation in ambient temperatures up to 155°C.

Part number	Inductance ¹ $\pm 10\%$ (μH)	Q typ ²	SRF min ³ (MHz)	DCR max ⁴ (Ohms)	Isat ⁵ (A)	Imax (A)
ML413RAM901KRZ	0.9	25	415	0.120	1.4	0.76
ML413RAM112KRZ	1.1	24	376	0.130	1.3	0.72
ML413RAM132KRZ	1.3	37	198	0.145	1.2	0.64
ML413RAM152KRZ	1.5	22	135	0.155	1.1	0.62
ML413RAM192KRZ	1.9	29	126	0.180	1.0	0.60
ML413RAM222KRZ	2.2	21	106	0.186	0.95	0.58
ML413RAM272KRZ	2.7	22	70	0.210	0.80	0.57
ML413RAM332KRZ	3.3	21	59	0.240	0.75	0.53
ML413RAM392KRZ	3.9	21	55	0.260	0.70	0.50
ML413RAM472KRZ	4.7	27	48	0.450	0.70	0.36
ML413RAM582KRZ	5.8	21	37	0.320	0.55	0.45
ML413RAM682KRZ	6.8	28	33	0.330	0.50	0.42
ML413RAM822KRZ	8.2	18	29	0.340	0.50	0.42
ML413RAM103KRZ	10.0	20	22	0.460	0.45	0.36

1. When ordering, specify **termination** code:

ML413RAM103KRZ

Termination: R = Matte tin over nickel over silver-platinum glass frit.

Special order:

L = Silver-palladium-platinum-glass frit.

- Inductance measured at 2.5 MHz using Coilcraft SMD-A fixture in an Agilent/HP 4286A impedance analyzer or equivalent with Coilcraft-provided correlation pieces.
- Q measured at 2.5 MHz using an Agilent/HP 4291A with an Agilent/HP 16197 test fixture or equivalents.
- SRF measured using an Agilent/HP 8753ES network analyzer or equivalent with a Coilcraft SMD-D fixture.
- DCR measured on a Keithley 580 micro-ohmmeter or equivalent and a Coilcraft CCF858 test fixture.
- DC current at which the inductance drops 10% (typ.) from its value without current.
- Electrical specifications at 25°C.

Refer to Doc 362 "Soldering Surface Mount Components" before soldering.

Core material Ferrite

Terminations Matte tin over nickel over silver-platinum glass frit.

Ambient temperature -55°C to +125°C with Imax current

Maximum part temperature +155°C (ambient + temp rise)

Storage temperature Component: -65°C to +155°C.

Tape and reel packaging: -55°C to +80°C

Resistance to soldering heat Max three 40 second reflows at +260°C, parts cooled to room temperature between cycles

Temperature Coefficient of Inductance (TCL) +100 to +350 ppm/°C

Moisture Sensitivity Level (MSL) 1 (unlimited floor life at <30°C / 85% relative humidity)

Enhanced crush-resistant packaging 2000 per 7" reel
Plastic tape: 8 mm wide, 0.3 mm thick, 4 mm pocket spacing, 2.0 mm pocket depth



CRITICAL PRODUCTS & SERVICES

© Coilcraft, Inc. 2023

1102 Silver Lake Road
Cary, IL 60013
Phone 800-981-0363

Fax 847-639-1508
Email cps@coilcraft.com
www.coilcraft-cps.com

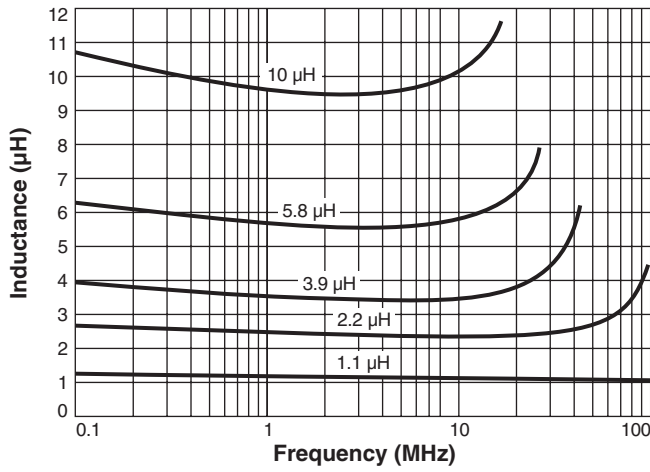
COILCRAFT ACCURATE
PRECISION REPEATABLE
MEASUREMENTS
SEE WEB SITE **TEST FIXTURES**

Document ML578-1 Revised 11/10/23

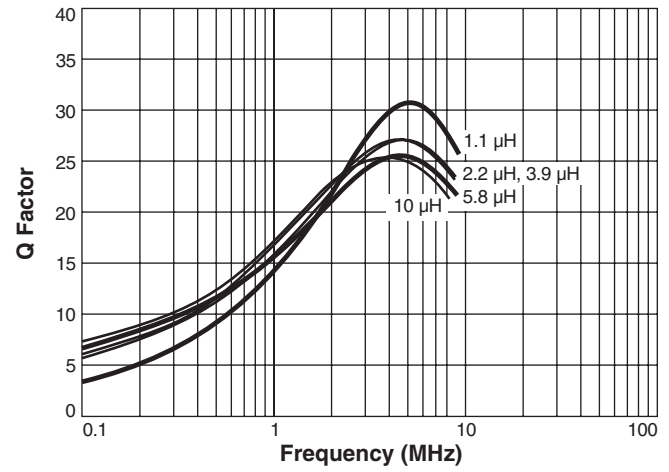
This product may not be used in medical or high risk applications without prior Coilcraft approval. Specifications subject to change without notice. Please check our web site for latest information.

ML413RAM Series (1008)

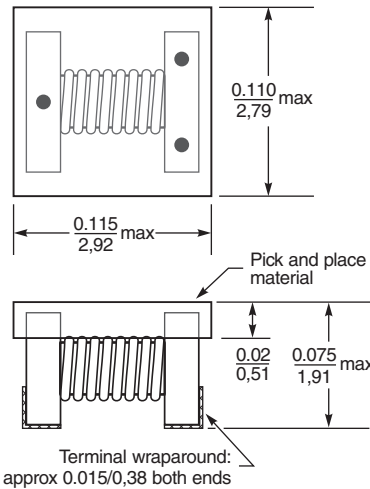
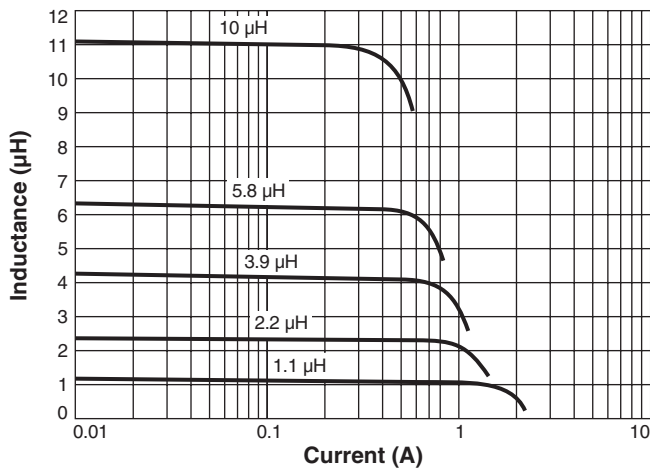
Typical L vs Frequency



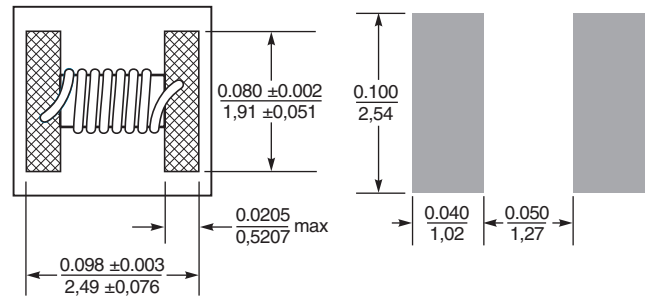
Typical Q vs Frequency



Typical L vs Current



Suggested Land Pattern



Dimensions are in $\frac{\text{inches}}{\text{mm}}$

Terminal dimensions are without optional solder applied. For dimensions with optional solder, add 0.006 inches / 0.152 mm. Visit <http://www.coilcraft-cps.com/colorcode.cfm> for an explanation of the color dots.



CRITICAL PRODUCTS & SERVICES
© Coilcraft, Inc. 2023

1102 Silver Lake Road
Cary, IL 60013
Phone 800-981-0363

Fax 847-639-1508
Email cps@coilcraft.com
www.coilcraft-cps.com

Document ML578-2 Revised 11/10/23

This product may not be used in medical or high risk applications without prior Coilcraft approval. Specifications subject to change without notice. Please check our web site for latest information.