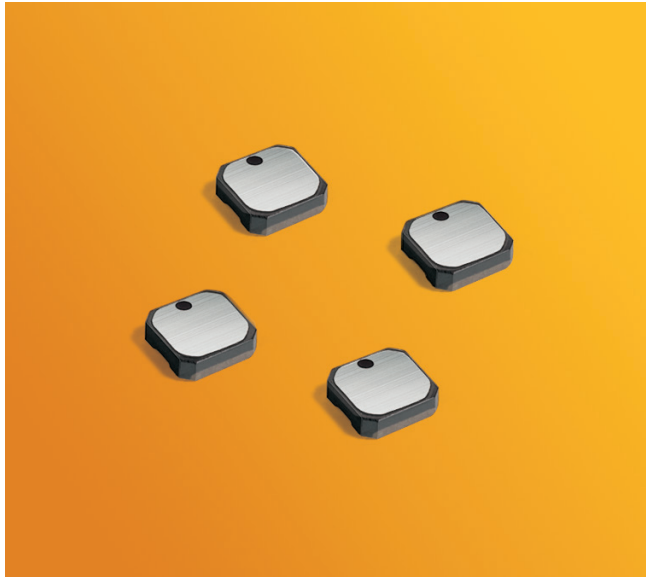


High Reliability Power Inductors ML369PJB



- High temperature materials allow operation in ambient temperatures up to 155°C
- Special construction allows it to pass vibration testing to 80 G and shock testing to 1000 G.

Core material Ferrite

Terminations Silver-palladium-platinum-glass frit.

Weight 27 – 32 mg

Ambient temperature –55°C to +105°C with (40°C) Irms current

Maximum part temperature +155°C (Ambient + temperature rise)

Storage temperature Component: –55°C to +155°C.

Tape and reel packaging: –55°C to +80°C

Resistance to soldering heat Max three 40 second reflows at +260°C, parts cooled to room temperature between cycles

Moisture Sensitivity Level (MSL) 1 (unlimited floor life at <30°C / 85% relative humidity)

Enhanced crush-resistant packaging 1000/7" reel

Plastic tape: 12 mm wide, 0.23 mm thick, 8 mm pocket spacing, 1.37 mm pocket depth

Recommended pick and place nozzle OD: 3 mm; ID: ≤1.5 mm

Part number ¹	Inductance ² ±20% (µH)	DCR max ³ (Ohms)	SRF (MHz) ⁴		Isat (A) ⁵			Irms (A) ⁶	
			min	typ	10% drop	20% drop	30% drop	20°C rise	40°C rise
ML369PJB561MLZ	0.56	0.072	231	330	1.8	2.0	2.1	1.1	1.6
ML369PJB801MLZ	0.80	0.092	178	255	1.6	1.7	1.8	0.88	1.3
ML369PJB102MLZ	1.0	0.125	154	220	1.3	1.4	1.5	0.72	1.0
ML369PJB152MLZ	1.5	0.134	119	170	1.1	1.3	1.3	0.70	0.96
ML369PJB222MLZ	2.2	0.175	105	150	1.0	1.1	1.1	0.68	0.88
ML369PJB332MLZ	3.3	0.285	79.8	114	0.81	0.86	0.88	0.59	0.76
ML369PJB472MLZ	4.7	0.350	60.9	87	0.68	0.73	0.74	0.54	0.64
ML369PJB562MLZ	5.6	0.450	54.6	78	0.62	0.67	0.70	0.46	0.58
ML369PJB682MLZ	6.8	0.500	52.5	75	0.58	0.61	0.63	0.40	0.54
ML369PJB822MLZ	8.2	0.600	42.7	61	0.52	0.56	0.58	0.36	0.48
ML369PJB103MLZ	10	0.650	39.2	56	0.46	0.51	0.52	0.34	0.45
ML369PJB123MLZ	12	0.790	34.3	49	0.45	0.48	0.50	0.30	0.40
ML369PJB183MLZ	18	1.25	26.6	38	0.35	0.38	0.40	0.26	0.35
ML369PJB223MLZ	22	1.50	24.5	35	0.29	0.33	0.34	0.23	0.30
ML369PJB333MLZ	33	2.30	16.1	23	0.27	0.30	0.31	0.20	0.26
ML369PJB473MLZ	47	3.00	14.7	21	0.22	0.23	0.24	0.17	0.22
ML369PJB683MLZ	68	4.75	12.6	18	0.18	0.19	0.20	0.14	0.18
ML369PJB104MLZ	100	6.85	9.8	14	0.15	0.16	0.16	0.13	0.17
ML369PJB124MLZ	120	7.00	9.1	13	0.084	0.094	0.10	0.11	0.15
ML369PJB154MLZ	150	8.00	7.7	11	0.080	0.088	0.092	0.10	0.14
ML369PJB184MLZ	180	9.00	7.0	10	0.070	0.078	0.082	0.10	0.13
ML369PJB224MLZ	220	11.50	6.3	9	0.067	0.073	0.076	0.080	0.12
ML369PJB334MLZ	330	18.00	4.9	7	0.059	0.064	0.066	0.070	0.10

1. When ordering, please specify **screening** code:

ML369PJB334MLZ

Screening: Z = Unscreened

Y = Unscreened (SLDC Option A)

W = Unscreened (SLDC Option B)

H = Group A screening per Coilcraft CP-SA-10001

G = Coilcraft CP-SA-10001 Group A (SLDC Option A)

D = Coilcraft CP-SA-10001 Group A (SLDC Option B)

• Screening performed to the document's latest revision.

• Custom testing also available.

• Country of origin restrictions available; prefix options G or F.

2. Inductance tested at 100 kHz, 0.1 Vrms using an Agilent/HP 4192A or equivalent.

3. DCR measured on a micro-ohmmeter.

4. SRF measured using an Agilent/HP 8753ES or equivalent.

5. DC current that causes the specified inductance drop from its value without current.

6. Current that causes the specified temperature rise from 25°C ambient. This information is for reference only and does not represent absolute maximum ratings.

7. Electrical specifications at 25°C.

Refer to Doc 362 "Soldering Surface Mount Components" before soldering.

Coilcraft CPS
CRITICAL PRODUCTS & SERVICES

1102 Silver Lake Road
Cary, IL 60013
Phone 800-981-0363

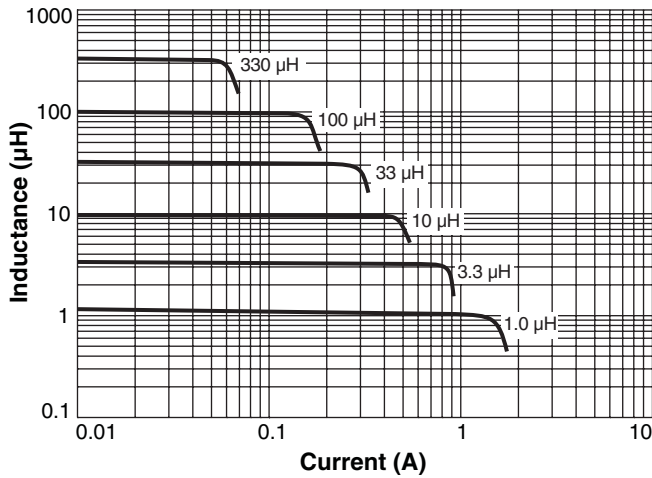
Fax 847-639-1508
Email cps@coilcraft.com
www.coilcraft-cps.com

Document ML438-1 Revised 04/13/23

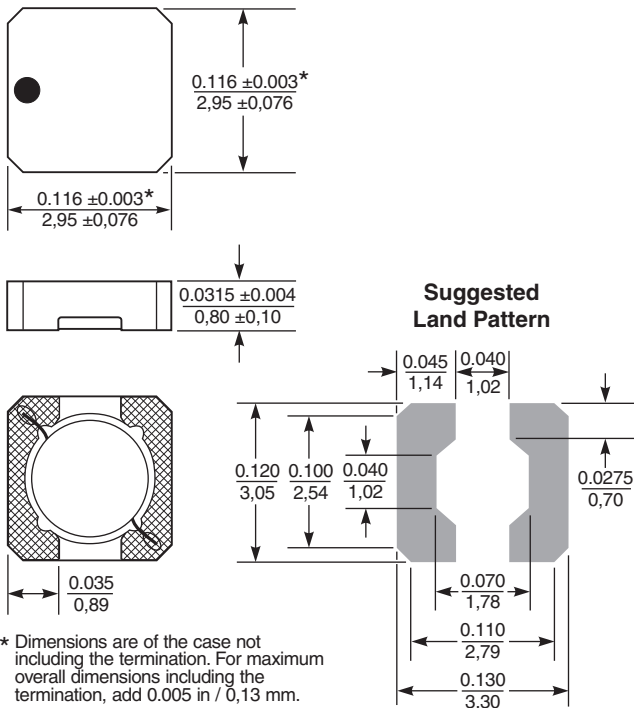
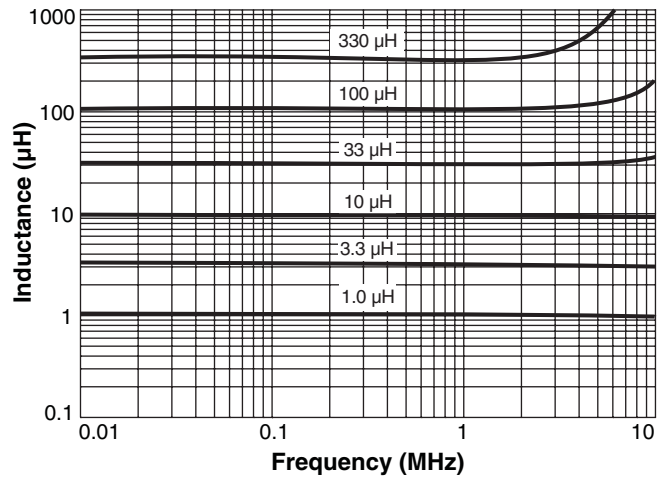
This product may not be used in medical or high risk applications without prior Coilcraft approval. Specifications subject to change without notice. Please check our web site for latest information.

ML369PJB Series (3008)

Typical L vs Current



Typical L vs Frequency



Dimensions are in $\frac{\text{inches}}{\text{mm}}$

