

High-Reliability Power Inductors MS528PJB



- High temperature materials allow operation in ambient temperatures up to 155°C.
- Special construction allows it to pass vibration testing to 30 G and shock testing to 100 G.
- Tin-lead (Sn-Pb) termination for the best possible board adhesion

Core material Ferrite

Terminations Tin-lead (63/37) over tin over nickel

Weight 0.82 – 1.25 g

Ambient temperature –55°C to +105°C with Irms current

Maximum part temperature +155°C (ambient + temp rise)

Storage temperature Component: –55°C to +155°C.

Tape and reel packaging: –55°C to +80°C

Resistance to soldering heat Max three 40 second reflows at +260°C, parts cooled to room temperature between cycles

Moisture Sensitivity Level (MSL) 1 (unlimited floor life at <30°C / 85% relative humidity)

Enhanced crush-resistant packaging 350/7" reel

Plastic tape: 12 mm wide, 0.3 mm thick, 8 mm pocket spacing, 3.68 mm pocket depth

Recommended pick and place nozzle OD: 6.2 mm; ID: ≤ 3.1 mm

Part number ¹	Inductance ² ± 20% (µH)	DCR (Ohms)		SRF (MHz)		Isat (A) ³			Irms (A) ⁴	
		typ	max	min	typ	10% drop	20% drop	30% drop	20°C rise	40°C rise
MS528PJB682MS_	6.8	0.059	0.075	53	63	3.6	3.9	4.0	1.80	2.40
MS528PJB103MS_	10	0.073	0.090	41	49	2.8	3.2	3.3	1.55	2.15
MS528PJB153MS_	15	0.092	0.110	27	23	2.5	2.7	2.7	1.35	1.85
MS528PJB223MS_	22	0.102	0.130	17	21	2.0	2.3	2.4	1.25	1.75
MS528PJB333MS_	33	0.121	0.145	10	12	1.8	2.0	2.1	1.20	1.60
MS528PJB473MS_	47	0.153	0.179	8.5	10	1.6	1.7	1.8	1.10	1.50
MS528PJB683MS_	68	0.193	0.223	7.4	8.7	1.2	1.3	1.4	0.95	1.35
MS528PJB104MS_	100	0.297	0.342	5.5	6.5	1.0	1.1	1.1	0.78	1.10
MS528PJB154MS_	150	0.379	0.442	4.2	5.0	0.88	0.93	0.95	0.70	0.95
MS528PJB224MS_	220	0.564	0.662	3.6	4.3	0.70	0.74	0.77	0.60	0.82
MS528PJB334MS_	330	0.834	0.95	2.5	3.0	0.52	0.58	0.61	0.48	0.65
MS528PJB474MS_	470	1.28	1.45	2.1	2.5	0.43	0.48	0.50	0.39	0.53
MS528PJB684MS_	680	1.88	2.23	1.8	2.2	0.33	0.39	0.43	0.32	0.44
MS528PJB105MS_	1000	2.92	3.22	1.1	1.3	0.31	0.34	0.36	0.23	0.32

1. When ordering, please specify **screening** code:

MS528PJB105MSZ

Screening:

Z = Unscreened

Y = Unscreened (SLDC Option A)

W = Unscreened (SLDC Option B)

H = Coilcraft CP-SA-10001 Group A

G = Coilcraft CP-SA-10001 Group A (SLDC Option A)

D = Coilcraft CP-SA-10001 Group A (SLDC Option B)

1/2/3 = EEE-INST-002 (Family 1) Level 1/2/3

4/5 = MIL-STD-981 (Family 04) Class B=4, Class S=5

F = ESCC3201 (F4 operational life performed at 105°C)

- Screening performed to the document's latest revision.
- Lot qualification (Group B) available.
- Testing T and U have been replaced with more detailed codes 4, 5, and 1, 2, 3, respectively. Codes T and U can still be used, if necessary. Custom testing also available.
- Country of origin restrictions available; prefix options G or F.

2. Inductance tested at 100 kHz, 0.1 Vrms, 0 Adc.

3. DC current at 25°C that causes the specified inductance drop from its value without current.

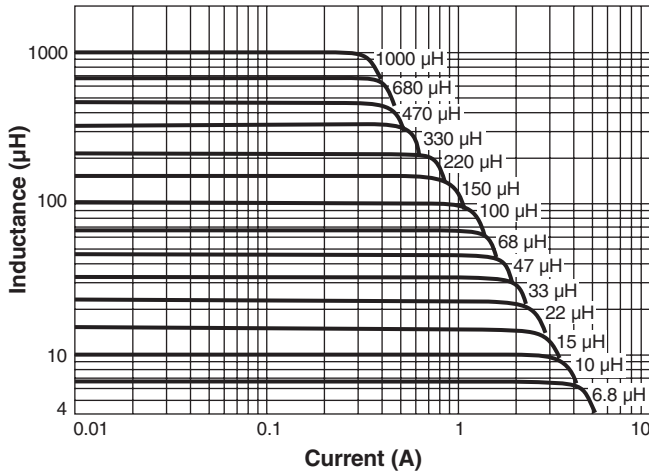
4. Current that causes the specified temperature rise from 25°C ambient. This information is for reference only and does not represent absolute maximum ratings.

5. Electrical specifications at 25°C.

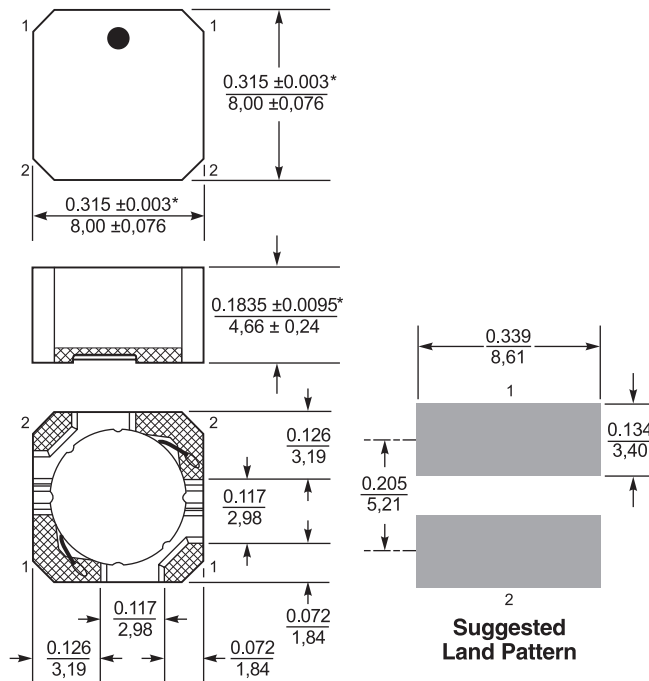
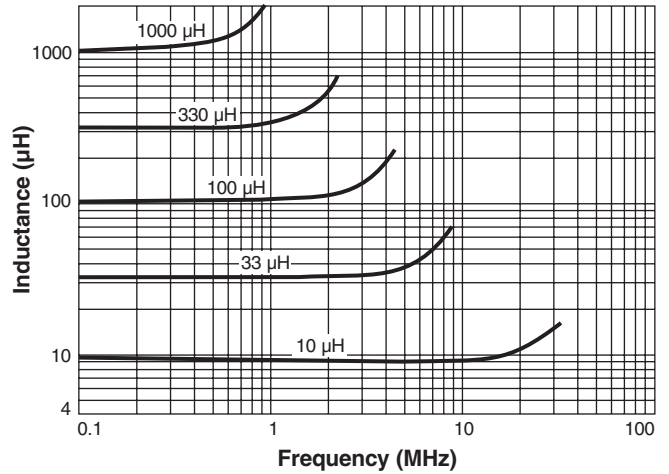
Refer to Doc 362 "Soldering Surface Mount Components" before soldering.

MS528PJB Series (8045)

L vs Current



Typical L vs Frequency



* Dimensions are of the case not including the termination. For maximum overall dimensions including the termination, add 0.026 in / 0.66 mm for length and width, and 0.005 in / 0.13 mm for height.

Dimensions are in $\frac{\text{inches}}{\text{mm}}$

